

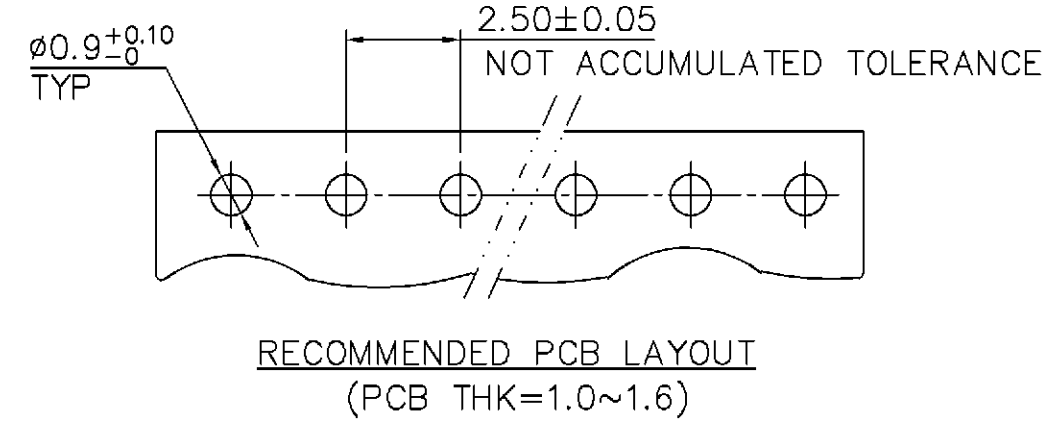
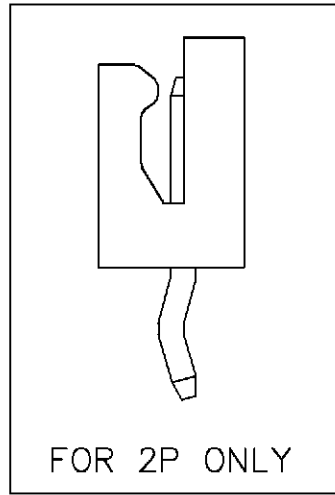
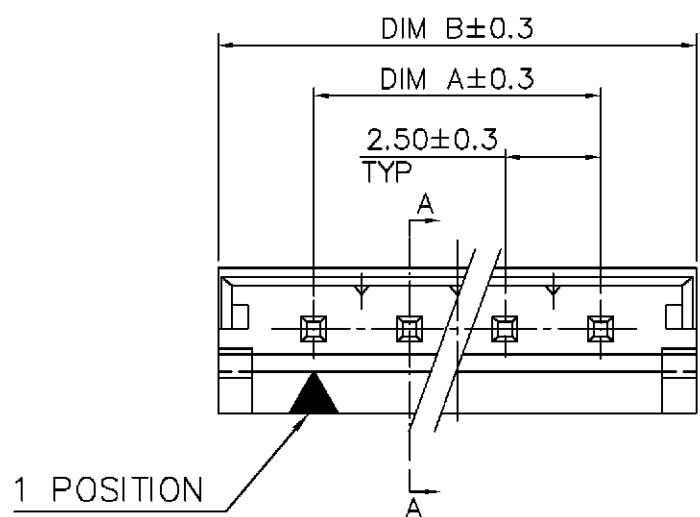
NUMBER  
C-440052

3RD ANGLE PROJECTION

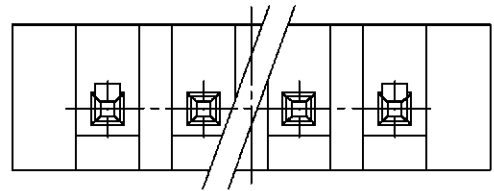
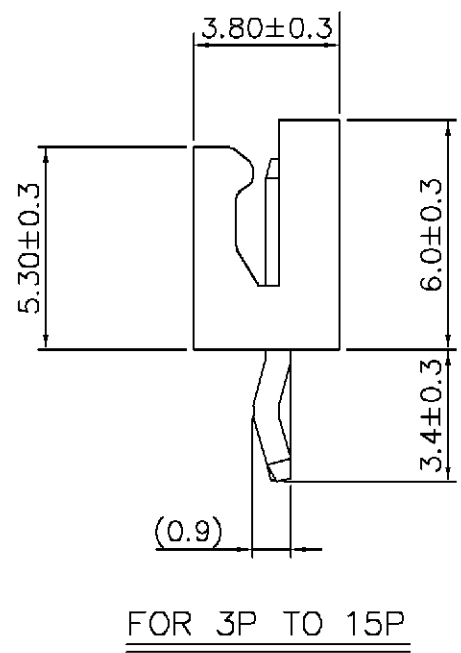
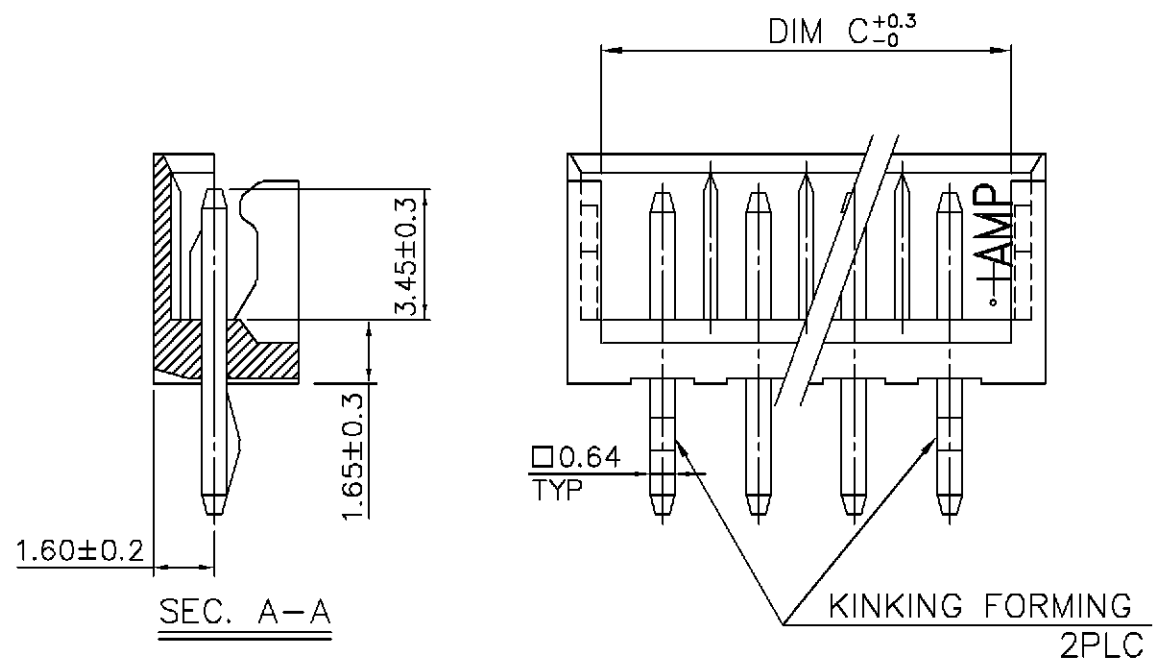
METRIC

THIS INFORMATION IS CONFIDENTIAL AND IS DISCLOSED TO YOU ON CONDITION THAT NO FURTHER DISCLOSURE IS MADE BY YOU TO OTHER THAN AMP PERSONNEL WITHOUT WRITTEN AUTHORIZATION FROM AMP (TAIWAN) LTD. DIMENSIONS IN MILLIMETERS. DO NOT SCALE PRINT.

PRINT DIST  
DW



- NOTE:
- MATERIAL :  
HOUSING : THERMOPLASTIC UL94V-0,  
COLOR: SEE TABLE.  
CONTACT : BRASS.
  - FINISH:  
CONTACT : 80u" MIN. TIN PLATED ON CONTACT AREA.
  - WHEN EXTRACTING RECEPTACLE HOUSING FROM HEADER, NOT WIRE BUT RECEPTACLE HOUSING SHOULD BE GRIPED IN ORDER TO AVOID THE WIRE BREAKAGE.



39.2	40.0	35.00	15P	3-440052-5	1-440052-5
36.7	37.5	32.50	14P	3-440052-4	1-440052-4
34.2	35.0	30.00	13P	3-440052-3	1-440052-3
31.7	32.5	27.50	12P	3-440052-2	1-440052-2
29.2	30.0	25.00	11P	3-440052-1	1-440052-1
26.7	27.5	22.50	10P	3-440052-0	1-440052-0
24.2	25.0	20.00	9P	2-440052-9	440052-9
21.7	22.5	17.50	8P	2-440052-8	440052-8
19.2	20.0	15.00	7P	2-440052-7	440052-7
16.7	17.5	12.50	6P	2-440052-6	440052-6
14.2	15.0	10.00	5P	2-440052-5	440052-5
11.7	12.5	7.50	4P	2-440052-4	440052-4
9.2	10.0	5.00	3P	2-440052-3	440052-3
6.7	7.5	2.50	2P	2-440052-2	440052-2
DIM C	DIM B	DIM A	CIRCUITS	YELLOW	NATURAL
HOUSING COLOR					
PART NUMBER					

TOLERANCES UNLESS OTHERWISE SPECIFIED: 0 PLC ± 0.5 1 PLC ± 0.3 2 PLC ± 0.2 3 PLC ± 0.15 ANGLES ±	DWN O. HU 27-SEP-2002	TYCO HOLDINGS (BERMUDA) VII LTD. TAIWAN BRANCH
MATERIAL SEE NOTE	CHK J. CHENG 27-SEP-2002	
FINISH SEE NOTE	APVD J. WU 27-SEP-2002	2.5 MM PITCH HPI VERTICAL POST HEADERS
	PRODUCT SPEC 108-57099	LOC DW A <sub>3</sub> DRAWING NO C-440052 REV C
	APPLICATION SPEC	SCALE -- SHEET 1 OF 2
	WEIGHT	

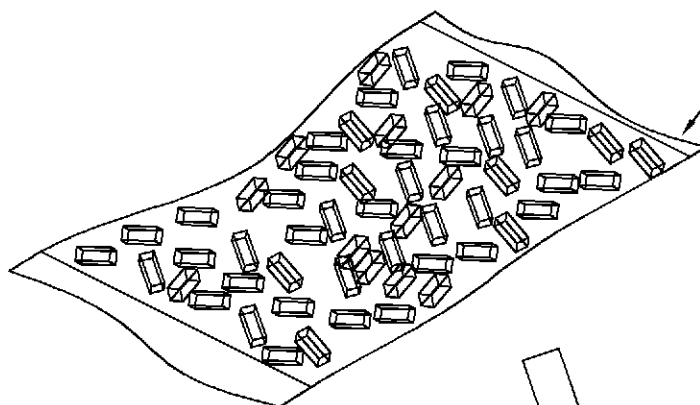
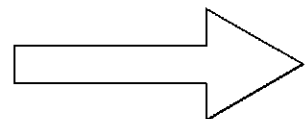
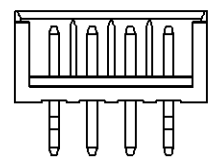
C	REVISED	FZ00-0201-02	OH JC	27SEP 2002
LTR	REVISION RECORD	ECN	DWN CHK	DATE

NUMBER  
C-440052

METRIC

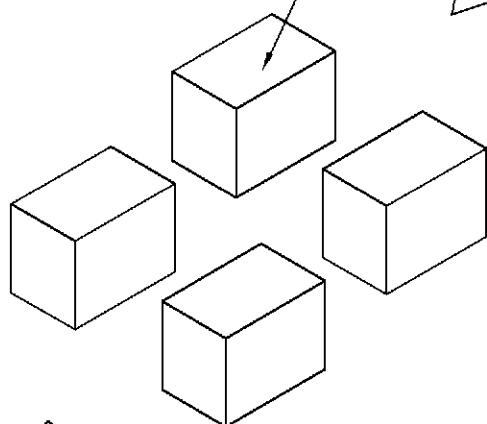
3RD ANGLE PROJECTION

THIS INFORMATION IS CONFIDENTIAL AND IS DISCLOSED TO YOU ON CONDITION THAT NO FURTHER DISCLOSURE IS MADE BY YOU TO OTHER THAN AMP PERSONNEL WITHOUT WRITTEN AUTHORIZATION FROM AMP (TAIWAN) LTD. DIMENSIONS IN MILLIMETERS. DO NOT SCALE PRINT.

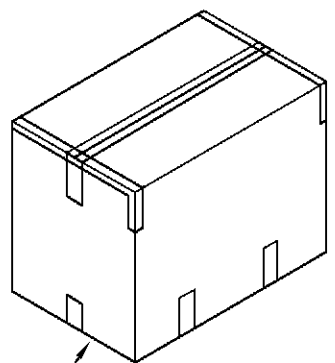
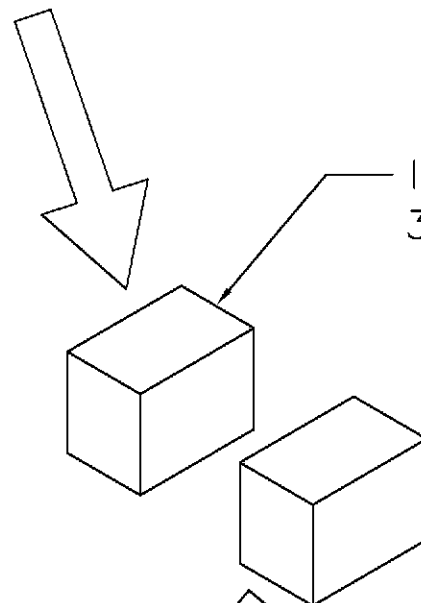


POLY BAG  
127mm(L)X 203mm(W)X 0.07mm(H)

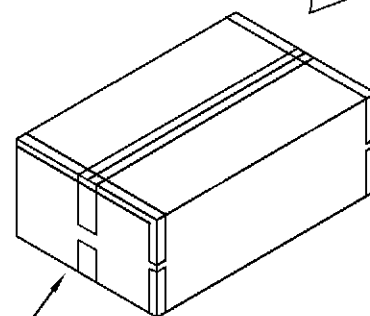
INEER BOX  
320mm(L)X 220mm(W)X 140mm(H)



INEER BOX  
320mm(L)X 220mm(W)X 140mm(H)



CARTON  
340mm(L)X 470mm(W)X 316mm(H)  
(FOR HEADER 6P~16P ONLY)



CARTON  
340mm(L)X 470mm(W)X 168mm(H)  
(FOR HEADER 2P~5P ONLY)

12,960	180	15P	3-440052-5	1-440052-5
12,000	200	14P	3-440052-4	1-440052-4
14,400	200	13P	3-440052-3	1-440052-3
16,000	250	12P	3-440052-2	1-440052-2
16,000	250	11P	3-440052-1	1-440052-1
20,000	250	10P	3-440052-0	1-440052-0
21,600	300	9P	2-440052-9	440052-9
25,200	350	8P	2-440052-8	440052-8
28,000	350	7P	2-440052-7	440052-7
35,000	350	6P	2-440052-6	440052-6
20,000	500	5P	2-440052-5	440052-5
24,000	600	4P	2-440052-4	440052-4
30,000	750	3P	2-440052-3	440052-3
36,000	1,000	2P	2-440052-2	440052-2
APQ (PCS/CARTON)	PPQ (PCS/BAG)	CIRCUITS	YELLOW	NATURAL
			HOUSING COLOR	
PART NUMBER				

TOLERANCES UNLESS OTHERWISE SPECIFIED: 0 PLC ± 1 PLC ± 2 PLC ± 3 PLC ± ANGLES ±	DWN	O. HU	TYCO HOLDINGS (BERMUDA) VII LTD. TAIWAN BRANCH 			
	27-SEP-2002	27-SEP-2002				
MATERIAL  SEE SHEET 1.	CHK	J. CHENG	2.5 MM PITCH HPI VERTICAL POST HEADERS			
	27-SEP-2002	27-SEP-2002				
FINISH  SEE SHEET 1.	APVD	J. WU	LOC	SIZE	DRAWING NO	REV
	27-SEP-2002	27-SEP-2002	DW	A <sub>3</sub>	C-440052	C
WEIGHT	SCALE	SHEET				
						2 OF 2

SEE SHEET 1.	ECN	DWN	CHK	DATE
LTR	REVISION RECORD			